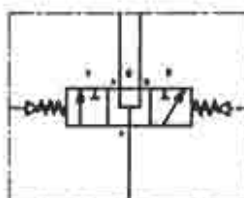
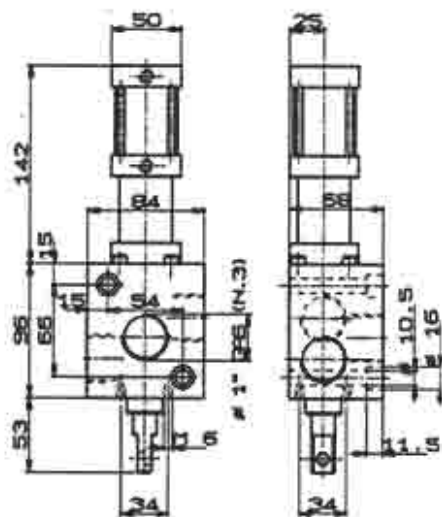
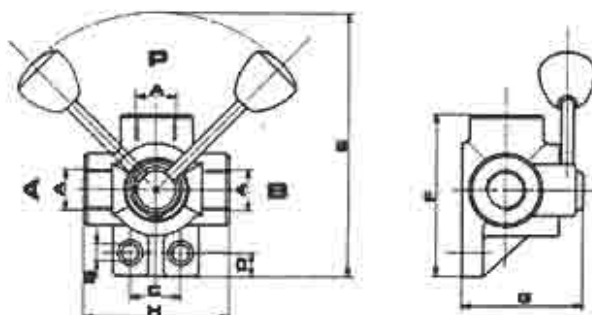
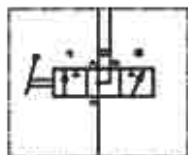


RUBINETTO A SFERA TIPO "BR" Ball cock type "BR" Robinet à sphère type "BR"				QUOTE - Dimensions Dimensions								
TIPO Type	CODICE DI ORDINAZIONE Order code Code d'ordre	PORTATA max. Max. delivery Débit max.	PRESSIONE max. Max. pressure Pression max.	Ø A	B	C	D	E				
		lit./1'	bar									
1/4" Gas	120-2-12	20	150	1/4" Gas	67	100	35	30				
3/8" Gas	120-2-21	35	150	3/8" Gas	67	100	35	30				
1/2" Gas	120-2-30	60	150	1/2" Gas	67	100	35	30				
3/4" Gas	120-2-49	110	100	3/4" Gas	76	100	39	38				
1" Gas	120-2-58	150	65	1" Gas	90	160	52	47				



NOVITA
Newness
Nouveauté

DEVIATORE OLEODINAMICO MOTRICE E RIMORCHIO DA 1" A 3 POSIZIONI Hydraulic flow deflect valve, tractor and trailer 1" at 3 positions Commutateurs hydraulique motrice et remorque de 1" à 3 positions			
TIPO Type	CODICE DI ORDINAZIONE Order code Code d'ordre	PORTATA max. Max. delivery Débit max.	PRESSIONE max. Max. pressure Pression max.
		lit./1'	bar
1" Gas (3 Pos.)	121-922-53	110	300



DEVIATORE DI FLUSSO CON MANIGLIA, A 3 VIE Flow deflect valve with handle at 3 ways Commutateur de flux avec poignée à 3 voies				QUOTE - Dimensions Dimensions							
TIPO Type	CODICE DI ORDINAZIONE Order code Code d'ordre	PORTATA max. Max. delivery Débit max.	PRESSIONE max. Max. pressure Pression max.	Ø A	Ø B	C	D	E	F	G	H
		lit./1'	bar								
3/8" Gas	122-1-19	35	180	3/8" Gas	8,5	25	11	148	78	62	74
1/2" Gas	122-1-28	50	180	1/2" Gas	10,5	32	16	160	95	70	86
3/4" Gas	122-1-37	80	180	3/4" Gas	11	32	15	185	100	78	90
1" Gas	122-1-46	120	180	1" Gas	11	32	17	195	111	88	96
1-1/2" Gas	122-1-55	180	180	1-1/2" Gas	11	45	22	215	142	116	125

DEVIATORI, INVERTITORI E RUBINETTI OLEODINAMICI

Hydraulic flow deflect valves, flow reverses and cocks
Commutateurs, inverseurs et robinets hydrauliques

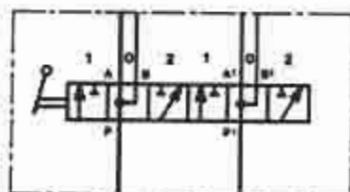
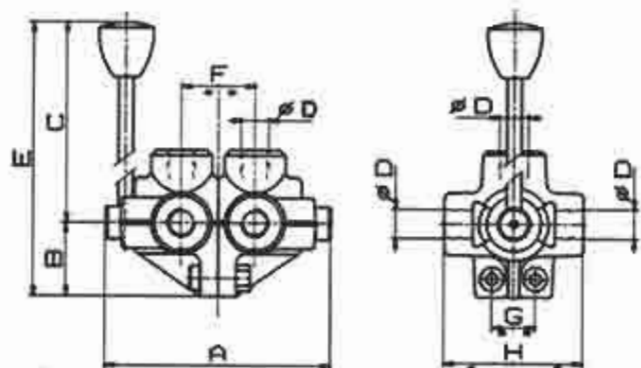


N.B. Il nostro UFFICIO TECNICO è a Vostra disposizione per qualsiasi chiarimento.
Our ENGINEERING DEPARTMENT is at your full disposal for any explanations.
Notre BUREAU TECHNIQUE est à Votre disposition pour éclaircissement quelconques.

Diritto riservato per modifiche, senza ulteriori avvisi.
Reserved right for changes, without further notices.
Droit réservé pour changements, sans avis ultérieurs.

Edizione 1988
Edition 1988
Edition 1988

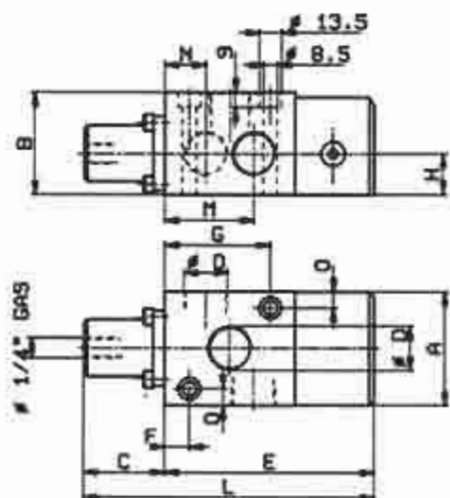
RIPRODUZIONE VIETATA
NO REPRODUCTION
RÉPRODUCTION INTERDITE



DEVIATORE DI FLUSSO CON MANIGLIA, A 6 VIE <i>Flow deflect valve with handle at 6 ways</i> Commutateur de flux avec poignée à 6 voies				QUOTE - Dimensions Dimensions							
TIPO Type	CODICE DI ORDINAZIONE Order code Code d'ordre	PORTATA max. Max. delivery Débit max.	PRESSIONE max. Max. pressure Pression max.	Ø D	A	B	C	E	F	G	H
		lit./1'	bar								
3/8" Gas	122-1-73	35	180	3/8" Gas	123	40	110	150	42	25	74
1/2" Gas	122-1-64	50	180	1/2" Gas	141	52	110	162	49	32	86
3/4" Gas	122-1-82	80	180	3/4" Gas	156	55	130	185	57	32	90



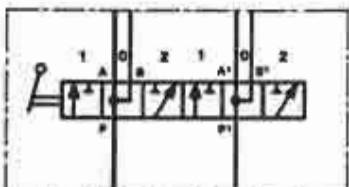
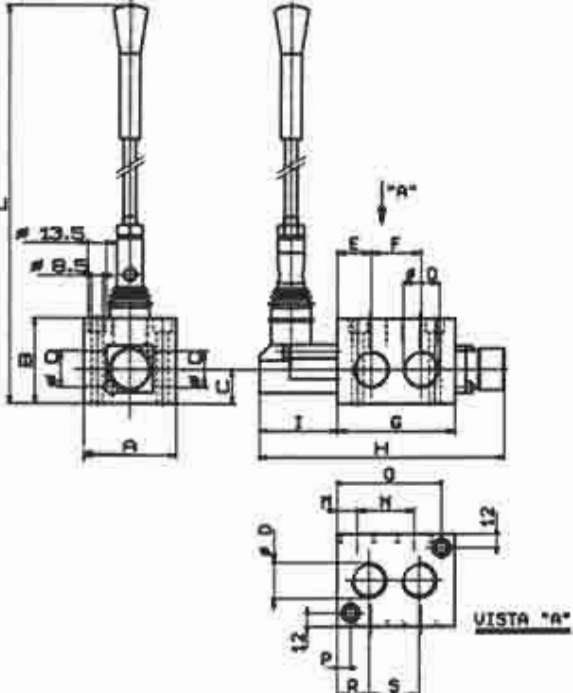
NOVITA
Newness
Nouveauté



DEVIATORE DI FLUSSO A 3 VIE, BILANCIATO, A COMANDO PNEUMATICO <i>Balanced flow deflect valve at 3 ways, pneumatically operated</i> Commutateur de flux balancé à 3 voies, à commande pneumatique			
TIPO Type	CODICE DI ORDINAZIONE Order code Code d'ordre	PORTATA max. Max. delivery Débit max.	PRESSIONE max. Max. pressure Pression max.
		lit./1'	bar
3/8" Gas	122-1-144	35	400
1/2" Gas	122-1-153	50	400
3/4" Gas	122-1-162	80	400
1" Gas	122-1-171	110	350

TIPO Type	QUOTE - Dimensions Dimensions											
	A	B	C	Ø D	E	F	G	H	L	M	N	O
3/8" Gas	58	48	49	3/8" Gas	110	13	51	18,5	159	44	20	10
1/2" Gas	58	48	49	1/2" Gas	110	13	51	18,5	159	44	20	10
3/4" Gas	68	62	49	3/4" Gas	127	15	64	25	176	53,5	25,5	10
1" Gas	84	68	49	1" Gas	127	15	64	28	176	53,5	25,5	15

NOVITA
Newness
Nouveauté

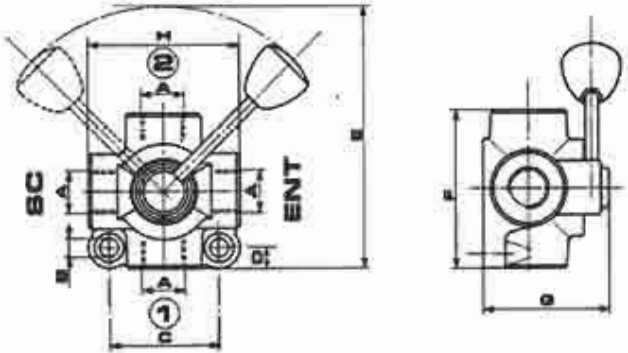
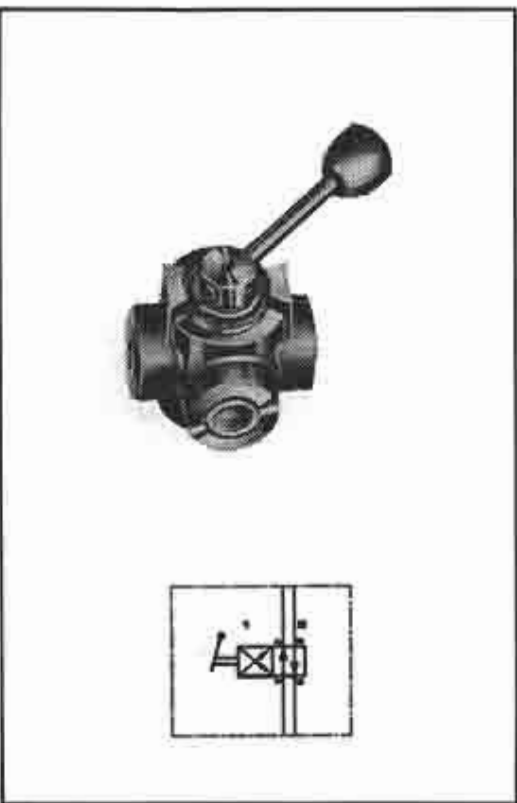


DEVIATORE DI FLUSSO A 6 VIE CON COMANDO A LEVA
Flow deflect valve at 6 ways with lever motion
Commutateur de flux à 6 voies avec commande à levier

TIPO Type	CODICE DI ORDINAZIONE Order code Code d'ordre	PORTATA max. Max. delivery Débit max.	PRESSIONE max. Max. pressure Pression max.
		lit./1'	bar
3/8" Gas	122-1-180	35	350
1/2" Gas	122-1-199	50	350
3/4" Gas	122-1-206	80	350

QUOTE - Dimensions - Dimensions

TIPO Type	A	B	C	Ø D	E	F	G	H	I	L	M	N	O	P	R	S
3/8" Gas																
1/2" Gas	68	58	25	1/2" Gas	48	42	113	238	72	335	21	42	93	20	34	42
3/4" Gas																

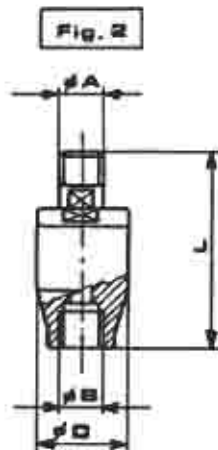
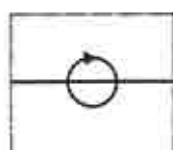
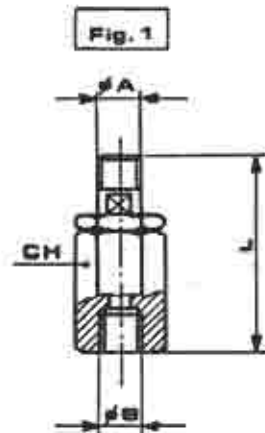


INVERTITORE DI FLUSSO A 4 VIE
Inverter flow at 4 ways
Inverseur de flux à 4 voies

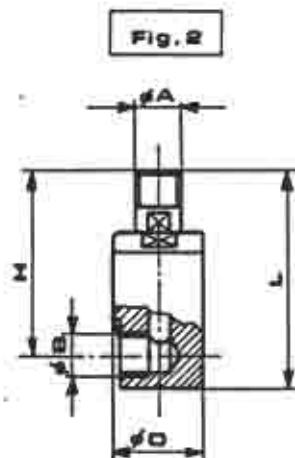
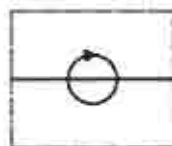
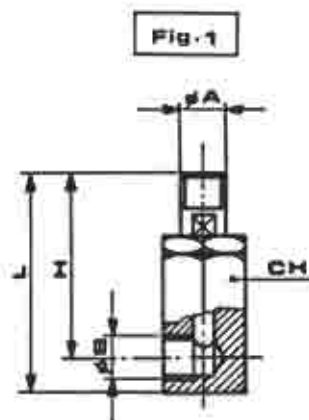
TIPO Type	CODICE DI ORDINAZIONE Order code Code d'ordre	PORTATA max. Max. delivery Débit max.	PRESSIONE max. Max. pressure Pression max.
		lit./1'	bar
3/8" Gas	122-2-18	35	180
1/2" Gas	122-2-27	45	180
3/4" Gas	122-2-36	75	180

QUOTE - Dimensions - Dimensions

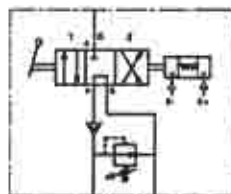
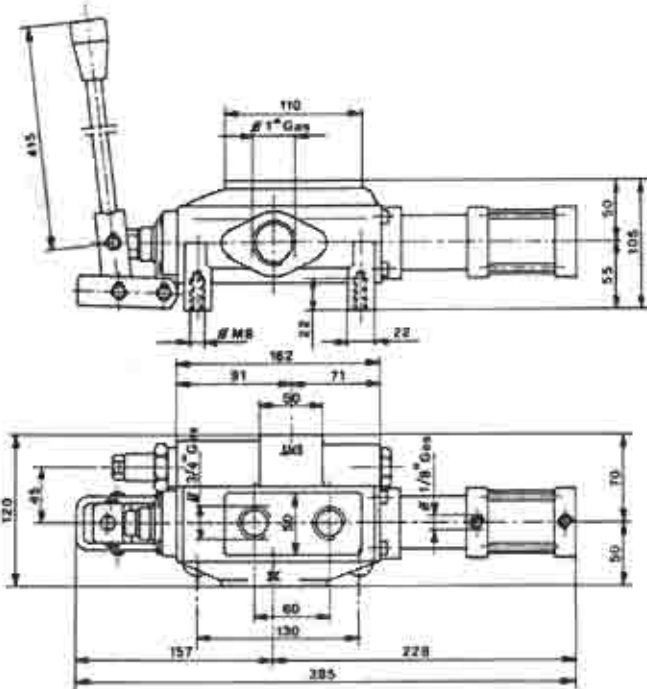
TIPO Type	Ø A	Ø B	C	D	E	F	G
3/8" Gas	3/8" Gas	9	54	12	150	78	70
1/2" Gas	1/2" Gas	10,5	66	12,5	175	91	78
3/4" Gas	3/4" Gas	10,5	70	13	180	96	88



GIUNTO GIREVOLE IN LINEA <i>Revolving joint</i> <i>Joint pivotant</i>				QUOTE - Dimensions <i>Dimensions</i>					
TIPO <i>Type</i>	CODICE DI ORDINAZIONE <i>Order code</i> <i>Code d'ordre</i>	PORTATA max. <i>Max. delivery</i> <i>Débit max.</i>	PRESSIONE max. <i>Max. pressure</i> <i>Pression max.</i>	Ø A	Ø B	Ø D	L	CH	FIGURA <i>Picture</i> <i>Figure</i>
		lit./1'	bar						
1/4" Gas	122-7-13	9	250	1/4" Gas	1/4" Gas	—	80	27	1
3/8" Gas	122-7-22	14	210	3/8" Gas	3/8" Gas	—	83	34	
1/2" Gas	122-7-31	24	200	1/2" Gas	1/2" Gas	—	97	38	
3/4" Gas	122-7-40	50	160	3/4" Gas	3/4" Gas	48	104	—	2
1" Gas	122-7-59	90	140	1" Gas	1" Gas	60	116	—	
1-1/4" Gas	122-7-68	160	120	1-1/4" Gas	1-1/4" Gas	65	125	—	
1-1/2" Gas	122-7-77	240	100	1-1/2" Gas	1-1/2" Gas	70	128	—	
2" Gas	122-7-86	340	100	2" Gas	2" Gas	80	134	—	



GIUNTO GIREVOLE A 90° <i>Revolving joint at 90°</i> <i>Joint pivotant à 90°</i>				QUOTE - Dimensions <i>Dimensions</i>						
TIPO <i>Type</i>	CODICE DI ORDINAZIONE <i>Order code</i> <i>Code d'ordre</i>	PORTATA max. <i>Max. delivery</i> <i>Débit max.</i>	PRESSIONE max. <i>Max. pressure</i> <i>Pression max.</i>	Ø A	Ø B	Ø D	H	L	CH	FIGURA <i>Picture</i> <i>Figure</i>
		lit./1'	bar							
1/4" Gas	122-8-12	9	250	1/4" Gas	1/4" Gas	—	70	82	30	1
3/8" Gas	122-8-21	14	210	3/8" Gas	3/8" Gas	—	79	91	34	
1/2" Gas	122-8-30	24	200	1/2" Gas	1/2" Gas	—	90	106	38	
3/4" Gas	122-8-49	50	160	3/4" Gas	3/4" Gas	—	100	120	50	2
1" Gas	122-8-58	90	140	1" Gas	1" Gas	60	110	132	—	
1-1/4" Gas	122-8-67	160	120	1-1/4" Gas	1-1/4" Gas	85	110	140	—	
1-1/2" Gas	122-8-76	240	100	1-1/2" Gas	1-1/2" Gas	100	120	156	—	
2" Gas	122-8-85	340	100	2" Gas	2" Gas	110	130	170	—	



NOVITA
Newness
Nouveauté

DISTRIBUTORE MONOBLOCCO "LT. 140 S.E."
A COMANDO PNEUMATICO
Monobloc directional control valve "LT 140 S.E."
pneumatically operated
Distributeur monobloc "LT 140 S.E."
à commande pneumatique

TIPO Type	CODICE DI ORDINAZIONE Order code Code d'ordre	PORTATA max. Max. delivery Débit max.	PRESSIONE max. Max. pressure Pression max.
		l/l'	bar
LT. 140 S.E.	134-991-44	140	200