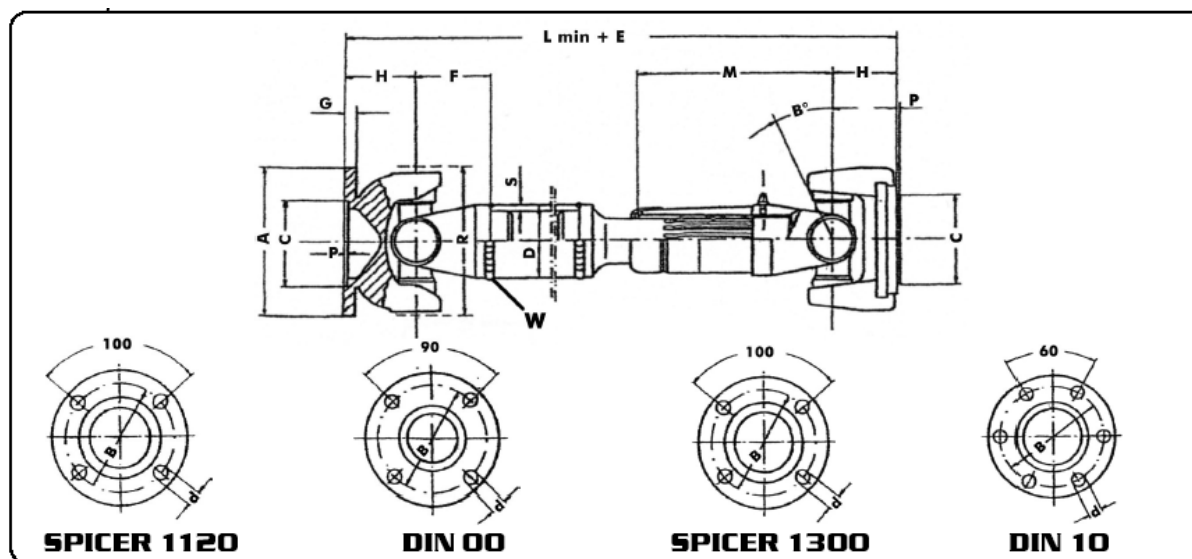


DRIVE SHAFTS:

- **SPICER 1120**
- **DIN 00**
- **SPICER 1300**
- **DIN 10**

The new drive shafts to weld offer better performances and grease cups both on the joint and on the splined shaft. The range includes the versions SPICER 1120 and 1300, DIN 00 and DIN 10 and can bear torque from 900 up to 1800Nm depending on the type. The drive shafts are available with a max. length of 1000mm. Special versions are also available on request.



Dimensioni - Dimension										
Tipo Type	A mm	B mm	C mm	G mm	P mm	d mm	H mm	B° max	L min mm	L max mm
SPICER 1120 114.14.208	87,5	69,85	57,15	7	1,4	8,25	33,5	18°	295	1000
DIN 00 114.14.226	90	74,5	47	6,5	2,5					
SPICER 1300 114.14.217	96,8	79,37	60,32	8,5	1,4	10,25	43,5	22°	324	
DIN 10 114.14.235	100	84	57	8	2,5	8,5	60	35°	355	