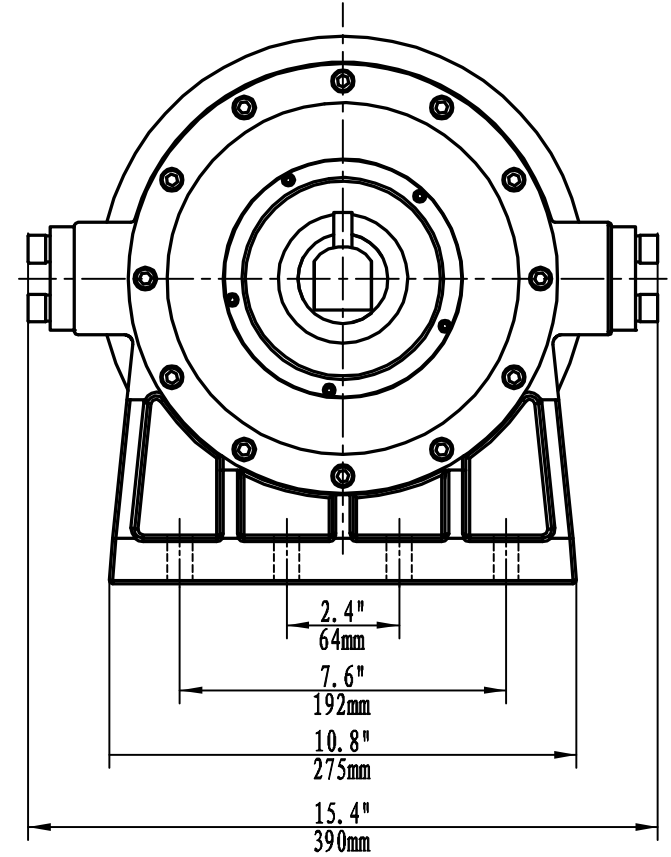
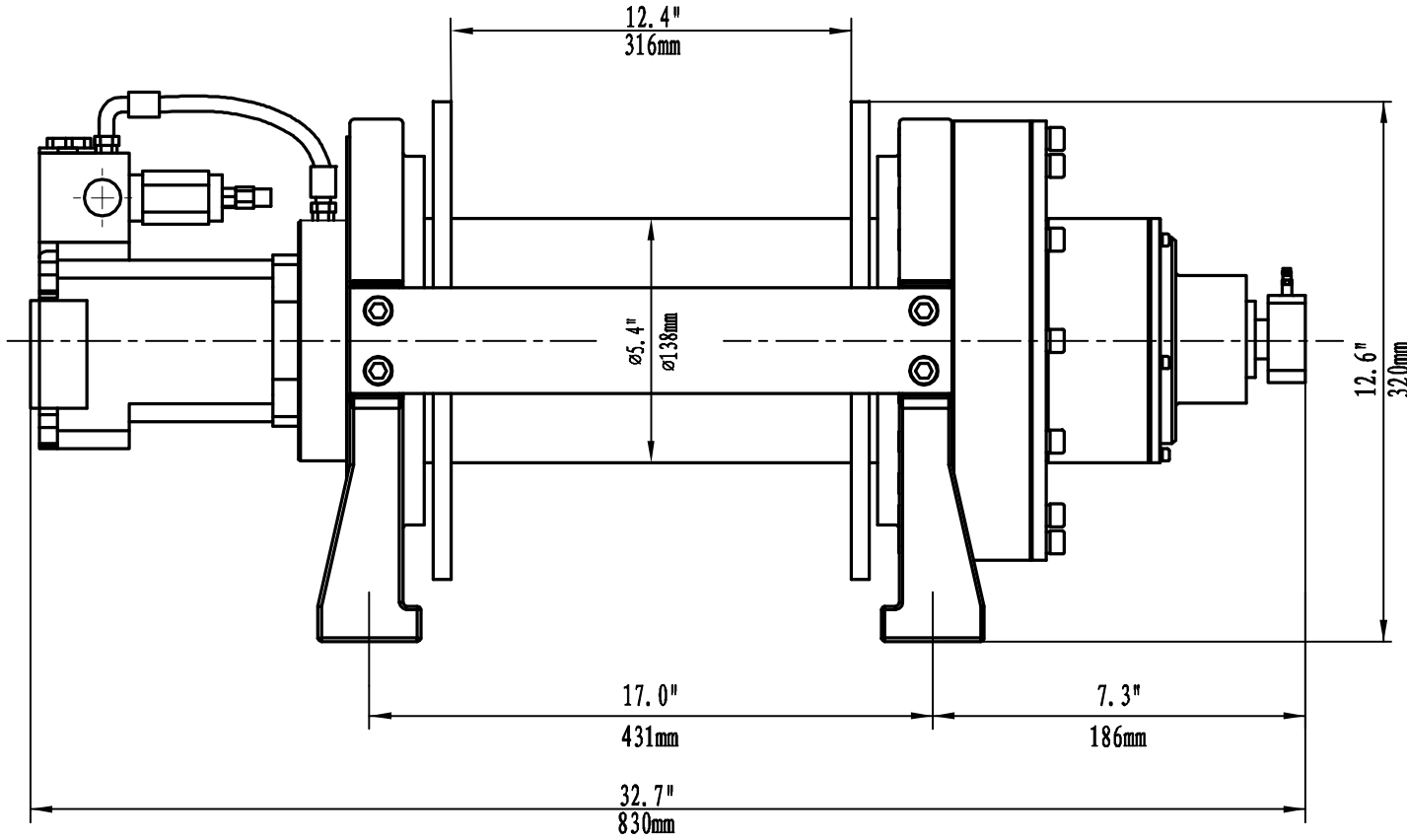




20 000 NH TECHNICAL DIAGRAM



VALUE WITHOUT COMPROMISE